

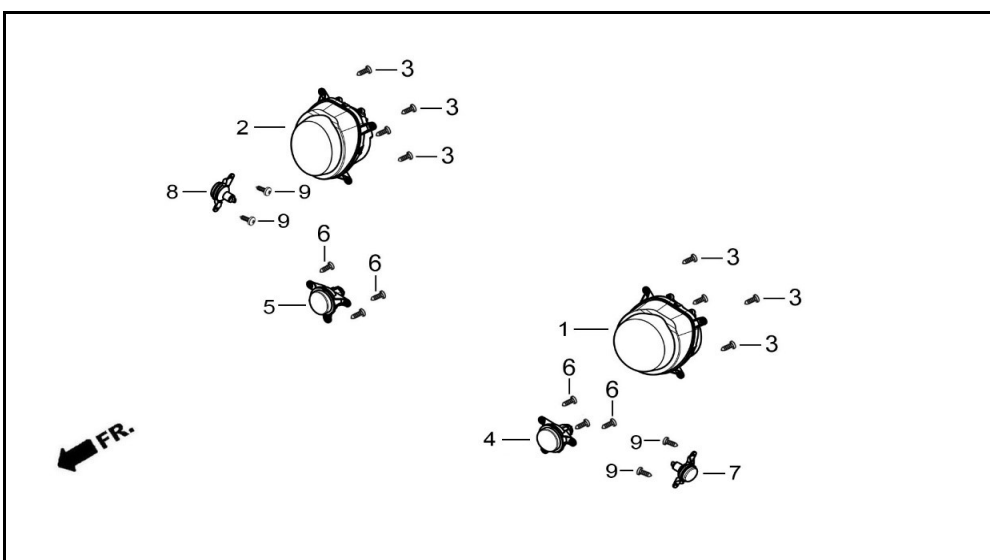


Abhollager / Pick-up warehouse

Menila Import GmbH
 Hafenbahnstraße 5
 45881 Gelsenkirchen

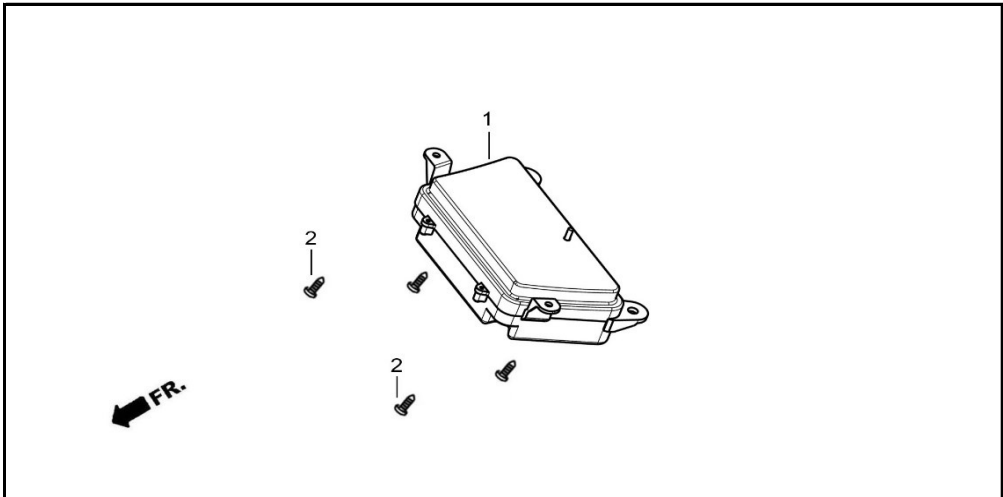
[Link zum Ersatzteilformular](#)

F-1 HEADLIGHT/FRONT TURNING LIGHT



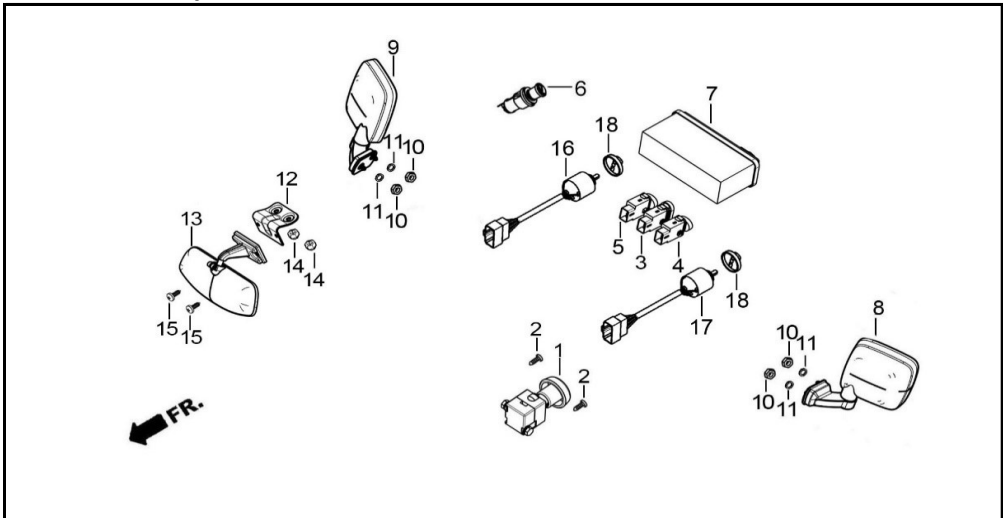
REF.NO.	Art. No.	PART NAME	REQD Q'ty.
1	9100338	HEADLIGHT, LEFT	1
2	9100339	HEADLIGHT, RIGHT	1
3	9100340	SCREW,TAPPING, ST4.2*16	8
4	9100341	TURNING LIGHT, FR. L.	1
5	9100342	TURNING LIGHT, FR. R.	1
6	9100343	SCREW,TAPPING, ST4.2*16	6
7	9100344	LEFT WINKER, FRONT	1
8	9100345	RIGHT WINKER, FRONT	1
9	9100346	SCREW,TAPPING, ST4.2*16	4

F-2 INSTRUMENT METERS



REF.NO.	Art. No.	PART NAME	REQD Q'ty.
1	9100347		1
2	9100348	SCREW,TAPPING, ST4.8*16	4

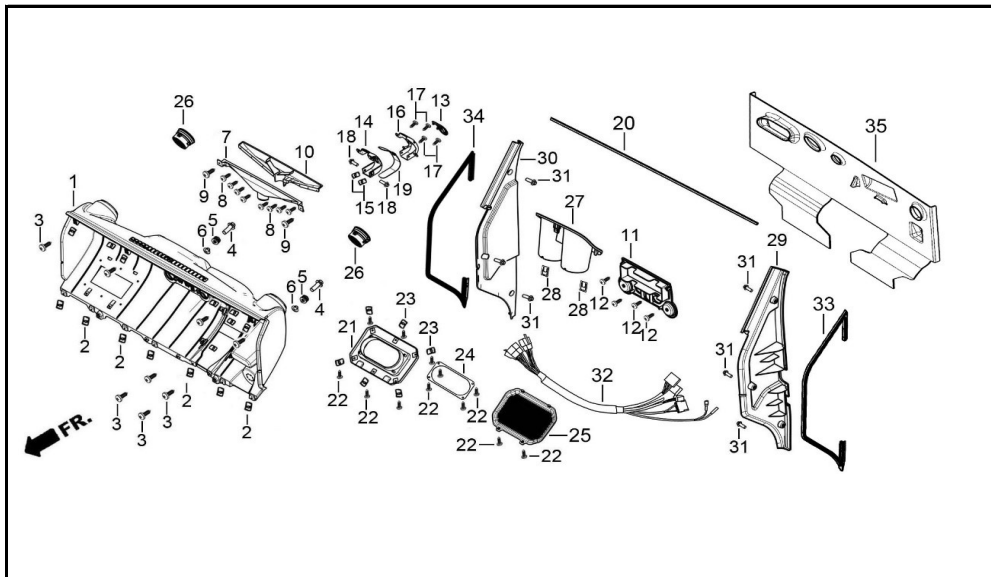
F-3 SWITCHES/BACKVIEW MIRROR



REF.NO.	Art. No.	PART NAME	REQD Q'ty.
1	9100349	SWITCH, EMERGENCY	1
2	9100350	SCREW, PLUS PAN, M5*8	2
3	9100351	BUTTON, DOUBLE SPLASHING	1
4	9100352	BUTTON, A/C	1
5	9100353	BUTTON, RECIRCULATING AIR	1
6	9100354	12V POWER SOURCE (CIGRETOR IGNITER)	1
7	9100355	FM RECEIVER SET	1
8	9100356	BACKVIEW MIRROR, OUTSIDE LEFT	1
9	9100357	BACKVIEW MIRROR, OUTSIDE RIGHT	1
10	9100358	NUT GB6177-86 M8	4
11	9100359	WASHER	4
12	9100360	MOUNTING PLATE, INNER MIRROR	1
13	9100361	INNER MIRROR	1
14	9100362	CAP NUT	2
15	9100363	SCREW, PLUS PAN, M5*12	2
16	9100364	MODEL SWITCH	1
17	9100365	SWITCH, WIND GEARSHIFT	1

18	9100366	CAP, WIND SPEED SWITCH	2
----	---------	------------------------	---

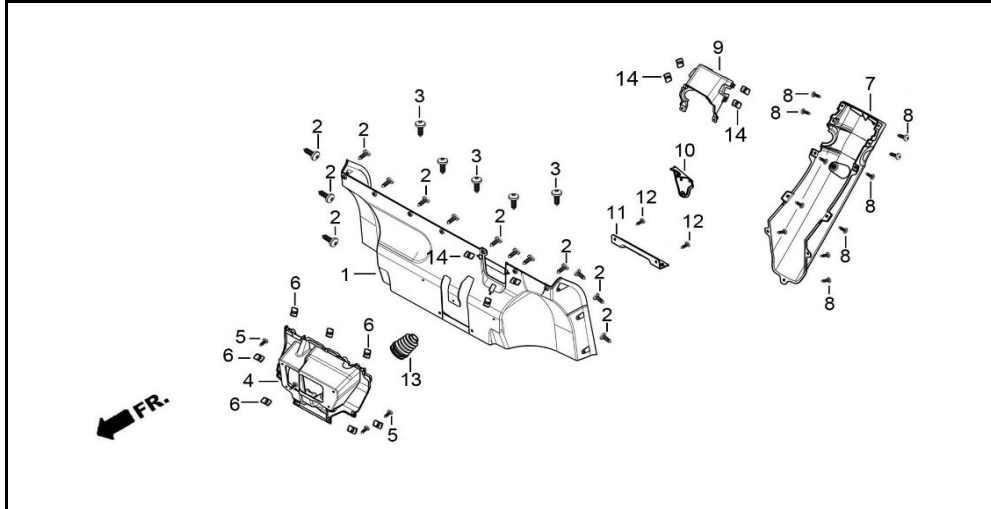
F-4 DASHBOARD



REF.NO.	Art. No.	PART NAME	REQD Q'ty.
1	9100367	DASHBOARD	1
2	9100368	CLIP, SPRING	18
3	9100369	SCREW,TAPPING,ST4.2*16	8
4	9100370	BOLT, HEX FLANGE, M6x20	2
5	9100371	BUFFER COVER, PLASTIC PARTS	2
6	9100372	PLASTIC SLEEVE	2
7	9100373	FRONT, DEFOGGER OUTLET	1
8	9100374	SCREW,TAPPING,ST3.9*12	8
9	9100375	SCREW,TAPPING,ST4.2*16	2
10	9100376	REAR, DEDOGER OUTLET	1
11	9100377	BOTTOM PART, CONTROL PANEL	1
12	9100378	SCREW,TAPPING,ST4.2*16	4
13	9100379	GEARSHIFT BAR COVER	1
14	9100380	LIMITED PLATE, BAFFLE	1
15	9100381	NUT,CLIP	2
16	9100382	PLATE, FENDER SUPPORT	1
17	9100383	SCREW,TAPPING,ST3.9*12	4
18	9100384	BOLT, HEX FLANGE, M6x12	2
19	9100385	SLIP, GEARSHIFT	1
20	9100386	SEAL, INSTRUMENT DESK	1
21	9100387	BODY PARTS, AIR VENT	1
22	9100388	SCREW,TAPPING,ST4.2*16	12
23	9100389	CLIP, SPRING	6
24	9100390	STRAINER, AIR VENT	1
25	9100391	GRILLING, A/C	1
26	9100392	AIR OUTLET, A/C	2
27	9100393	CUP HOLDER	1
28	9100394	CLIP, SPRING	2
29	9100395	LEFT DECORATIVE COVER, INSTRUMENT DESK	1
30	9100396	RIGHT DECORATIVE COVER, INSTRUMENT DESK	1

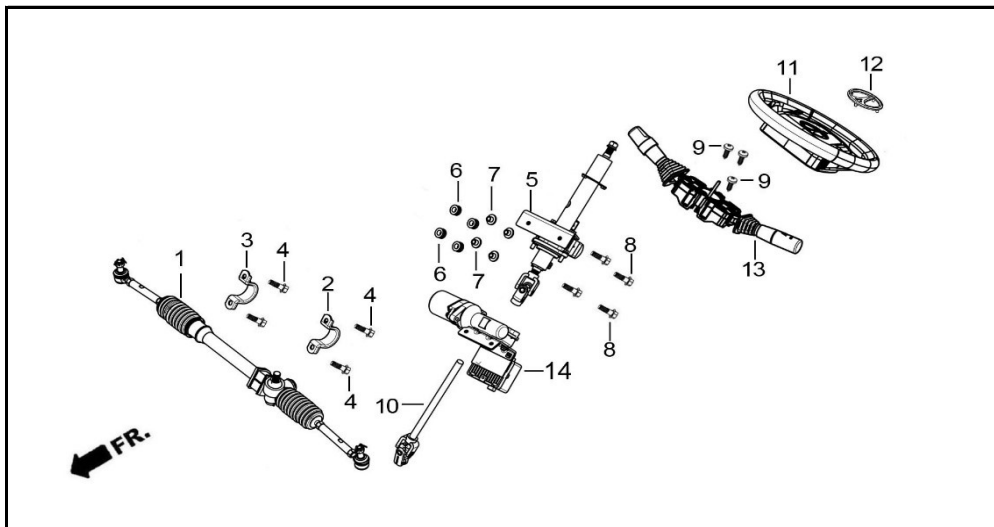
31	9100397	BOLT, HEX FLANGE, M6x12	6
32	9100398	CABLE, INSTRUMENT DESK (A/C CONDITION)	1
33	9100399	FRONT DOOR RUBBER STRIPE, LEFT DECORATIVE COV	1
34	9100400	FRONT DOOR RUBBER STRIPE, RIGHT DECORATIVE CO	1
35	9100401	BAFFLE, INSTRUMENT DESK	1

F-5 Under Dashboard Parts



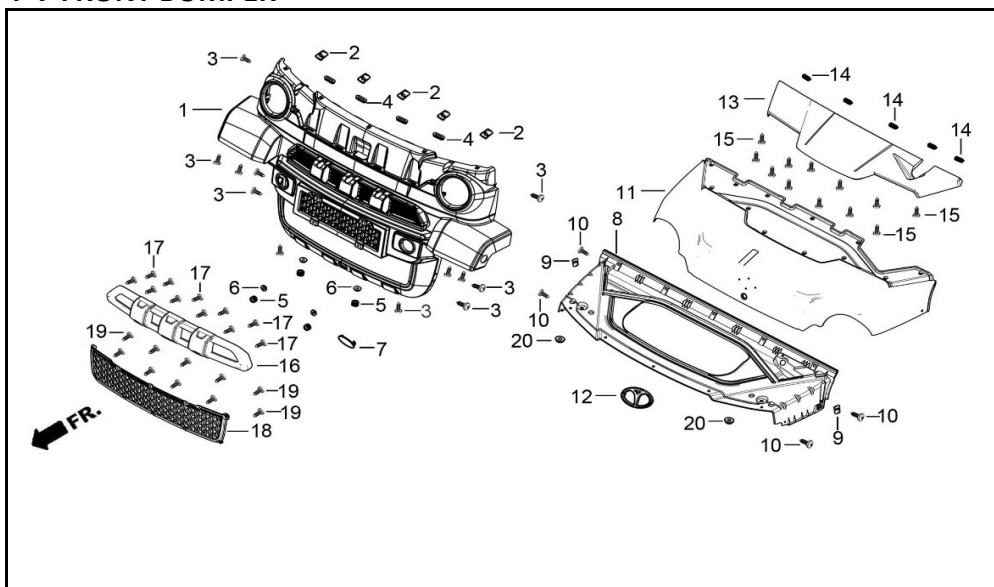
REF.NO.	Art. No.	PART NAME	REQD Q'ty.
1	9100402	LOWER PART, DASHBOARD	1
2	9100403	SCREW,TAPPING,ST4.2*16	16
3	9100404	SCREW, PLUS PAN, M6*16	5
4	9100405	FRONT SHIELD	1
5	9100406	SCREW, PLUS PAN, M6*16	4
6	9100407	CLIP, SPRING	8
7	9100408	STEERING TUBE COVER A	1
8	9100409	SCREW,TAPPING,ST4.2*16	11
9	9100410	STEERING TUBE COVER B	1
10	9100411	COVER, TRANSMISSION SHAFT	1
11	9100412	BOTTOM PLATE, INSTRUMENT DESK	1
12	9100413	SCREW,TAPPING,ST4.2*12	2
13	9100414	RUBBER COVER, TURNING TRANSMISSION SHAFT	1
14	9100415	CLIP, SPRING	7

F-6 STEERING MECHANISM



REF.NO.	Art. No.	PART NAME	REQD Q'ty.
1	9100416	STEERING ASSY.	1
2	9100417	L.CLAMPER,STEERING ASSY. FIXING	1
3	9100418	R.CLAMPER,STEERING ASSY. FIXING	1
4	9100419	BOLT, HEX FLANGE, M10x1.25x25	4
5	9100420	COLUMN, STEERING	1
6	9100421	COVER,RUBBER	4
7	9100422	SLEEVE	4
8	9100423	BOLT, HEX FLANGE, M8x32	4
9	9100424	SCREW, PLUS PAN, M5*8	3
10	9100425	TRANSMISSION COMP., STEERING	1
11	9100426	WHEEL SET, STEERING	1
12	9100427	LOGO,STEERING WHEEL	1
13	9100428	SWITCH CONBINATION ASSY.	1
14	9100429	TURNING ASSISTANT	1

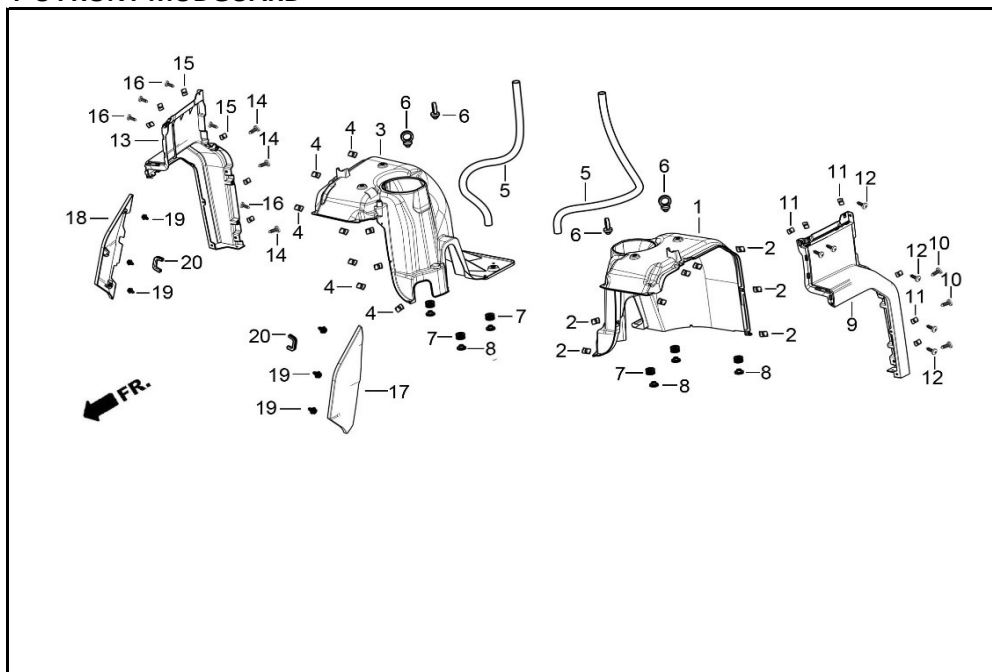
F-7 FRONT BUMPER



REF.NO.	Art. No.	PART NAME	REQD Q'ty.
1	9100430	BUMPER, FRONT	1
2	9100431	NUT,CLIP, M6	5

3	9100432	SCREW, TAPPING,ST4.2*12	12
4	9100433	RUBBER COVER, FRONT BUMPER	4
5	9100434	RUBBER, DAMPER	4
6	9100435	SLEEVE	4
7	9100436	CAP,HAULING BOLT	1
8	9100437	BUMPER UPPER, FRONT	1
9	9100438	NUT,CLIP, M6	2
10	9100439	SCREW, TAPPING,ST4.2*16	4
11	9100440	PANEL,FRONT	1
12	9100441	FRONT LOGO	1
13	9100442	DECORATIVE PLATE, FRONT PANEL	1
14	9100443	RUBBER,FRONT PANEL	5
15	9100444	SCREW, TAPPING,ST4.2*16	12
16	9100445	FRONT DECORATIVE GRILLING	1
17	9100446	SCREW, TAPPING,ST4.8*12	11
18	9100447	GRILLING, FRONT AIR VENT	1
19	9100448	SCREW, TAPPING,ST3.9*12	10
20	9100449	WASHER	2
21	9100450	SEAL, UPPER FRONT BUMPER	1
22	9100451	RUBBER STRIPE, UPPER FRONT BUMPER	1
23	9100452	BOTTOM RUBBER STRIPE, UPPER FRONT BUMPER	1

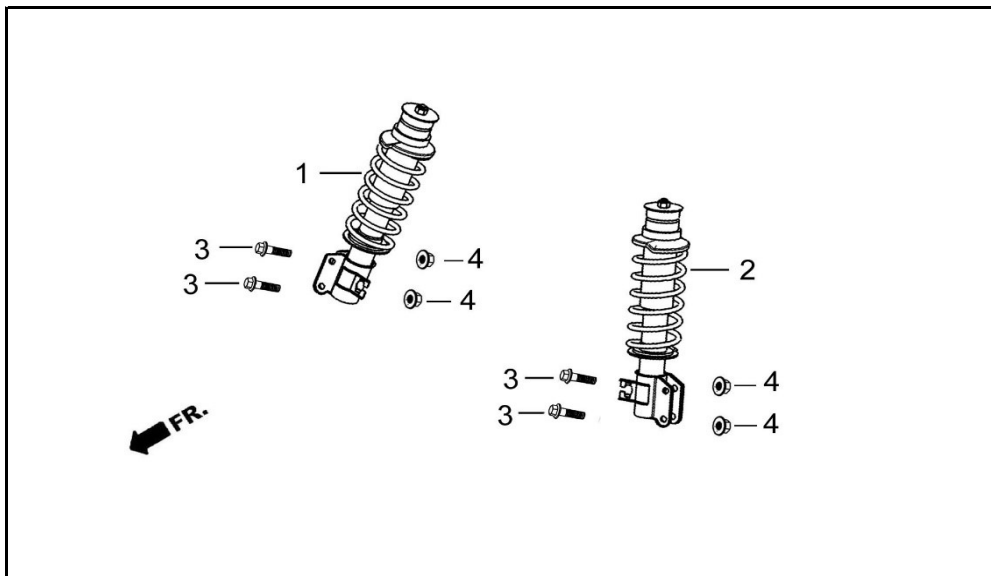
F-8 FRONT MUDGUARD



REF.NO.	Art. No.	PART NAME	REQD Q'ty.
1	9100453	MUDGUAD, LEFT FRONT WHEEL	1
2	9100454	CLIP, SPRING	10
3	9100455	MUDGUAD, RIGHT FRONT WHEEL	1
4	9100456	CLIP, SPRING	10
5	9100457	RUBBER PIPE, DRAIN AWAY WATER	2
6	9100458	PROTECT RING, FLEXIBLE SHAFT	4
7	9100459	RUBBER, DAMPER	6
8	9100460	SLEEVE	6

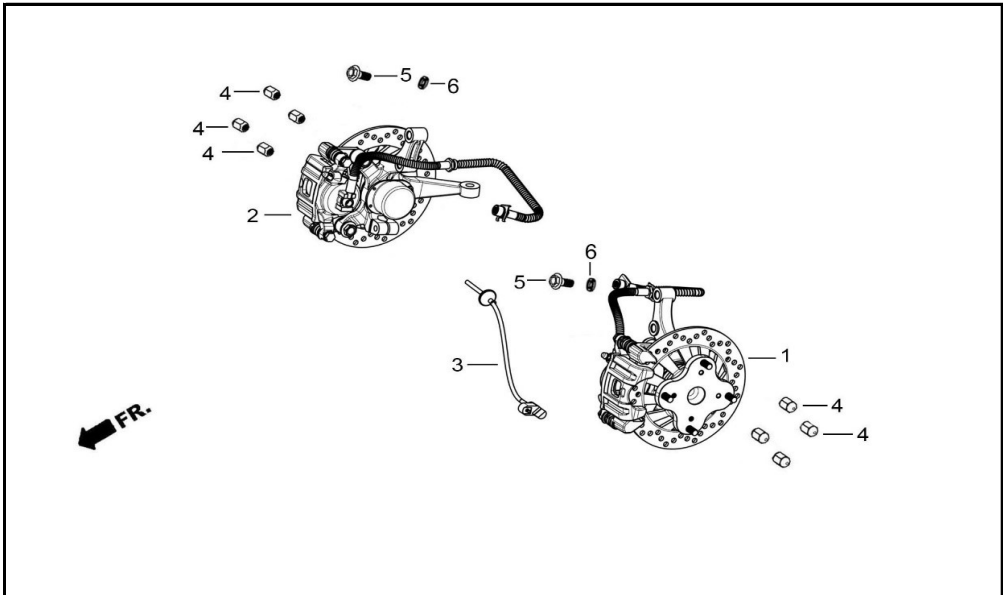
9	9100461	FENDER, LEFT FRONT WHEEL	1
10	9100462	SCREW, PLUS PAN, M6*16	3
11	9100463	CLIP, SPRING	6
12	9100464	SCREW, TAPPING,ST4.2*12	6
13	9100465	FENDER, RIGHT FRONT WHEEL	1
14	9100466	SCREW, PLUS PAN, M6*16	3
15	9100467	CLIP, SPRING	6
16	9100468	SCREW, TAPPING,ST4.2*12	6
17	9100469	FRONT DECORATIVE COVER, LEFT DOOR	1
18	9100470	FRONT DECORATIVE COVER, RIGHT DOOR	1
19	9100471	BLACK DECORATIVE CLAMP	6
20	9100472	WASHER, FRONT DECORATIVE DOOR COVER	2

F-9 FRONT SHOCK ABSORBER



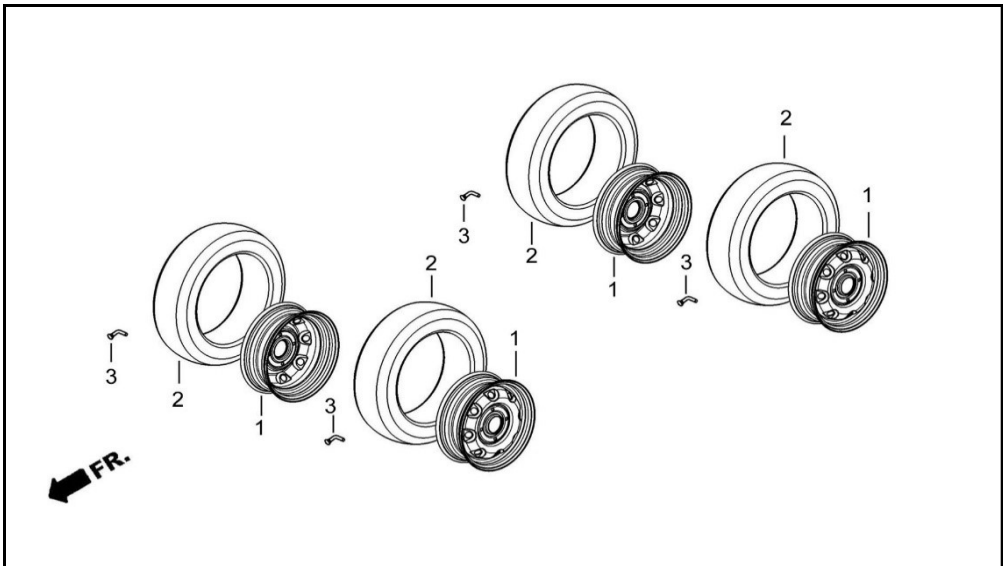
REF.NO.	Art. No.	PART NAME	REQD Q'ty.
1	9100473	ABSORBER, FRONT LEFT	1
2	9100474	ABSORBER,FRONT RIGHT	1
3	9100475	BOLT,HEX FLANGE M10*1.25*55	4
4	9100476	NUT, SELF LOCKING, M12*1.25	4

F-10 FRONT BRAKE



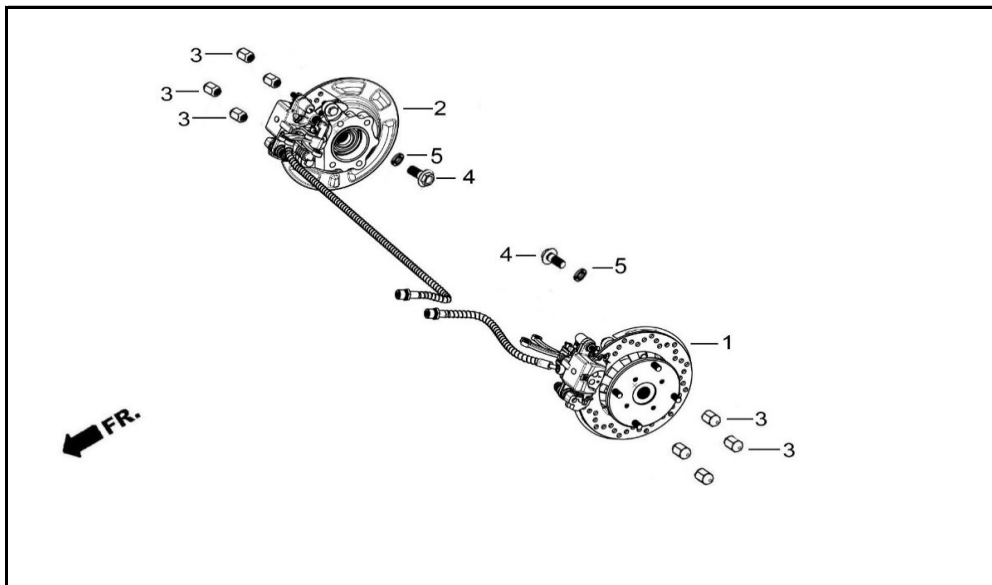
REF.NO.	Art. No.	PART NAME	REQD Q'ty.
1	9100477	BRAKE,FRONT LEFT	1
2	9100478	BRAKE,FRONT RIGHT	1
3	9100479	SENSOR PLUG-IN COMP.	1
4	9100480	NUT,WHEEL	8
5	9100481	BOLT,HEX FLANGE	2
6	9100482	WASHER	2
7	9100483	FRNOT BRAKE DISC	2
8	9100484	PAD SET, BRAKE FRONT	1

F-11



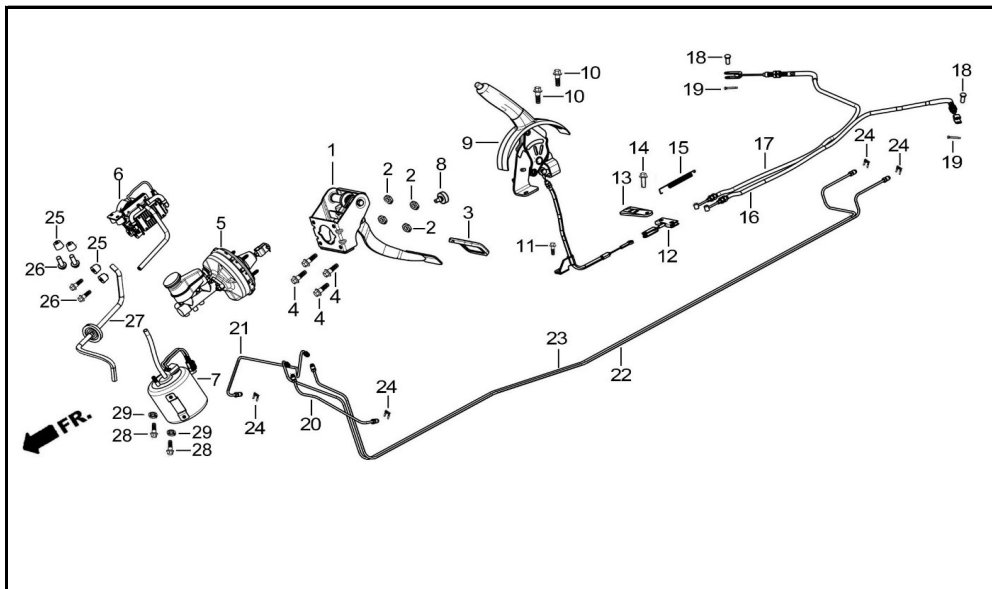
REF.NO.	Art. No.	PART NAME	REQD Q'ty.
1	9100485	RIM,WHEEL	4
2	9120092	TYRE,WHEEL 145/70 R12	4
3	9100487	VALVE,AIR	4

F-12 REAR BRAKE



REF.NO.	Art. No.	PART NAME	REQD Q'ty.
1	9100488	BRAKE, LEFT REAR	1
2	9100489	BRAKE, RIGHT REAR	1
3	9100490	NUT, WHEEL	8
4	9100491	BOLT, HEX FLANGE	2
5	9100492	WASHER	2
6	9100493	REAR BRAKE DISC	2
7	9100494	PAD SET, BRAKE REAR	1

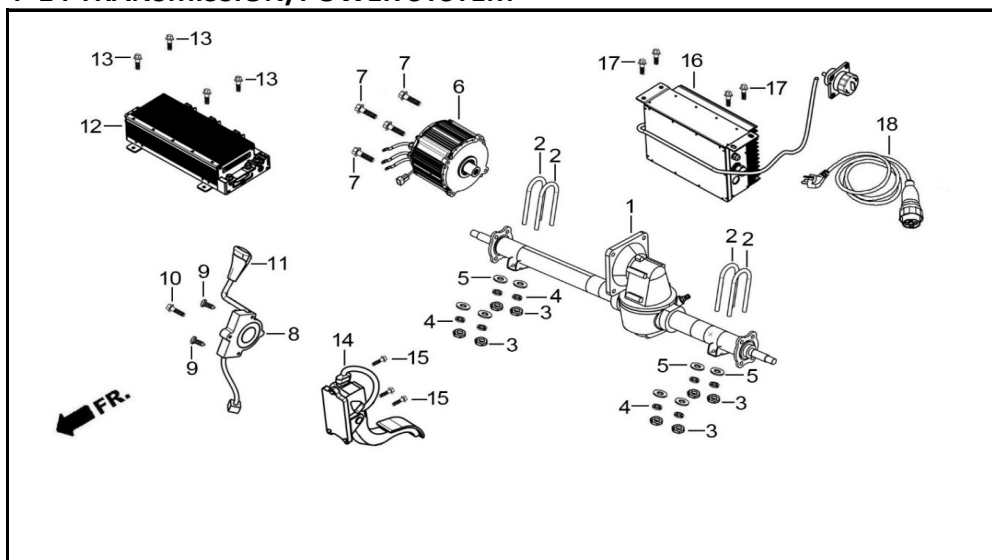
F-13 BRAKE OPERATING SYSTEM



REF.NO.	Art. No.	PART NAME	REQD Q'ty.
1	9100495	BRAKE ASSY., FOOT OPERATED	1
2	9100496	NUT	4
3	9100497	RUBBER, BRAKING PEDAL	1
4	9100498	BOLT, HEX FLANGE, M8*16	4
5	9100499	MAIN CYLINDER COMP., ASSISTENT MACHINE	1
6	9100500	VACUUM PUMP, E-START	1
7	9100501	VACUUM GAS HOLDER COMP.	1
8	9100502	BLOCK, FOOT OPERATED BRAKE STOP	1

9	9100503	BRAKE COMP.,HAND OPERATED BRAKE	1
10	9100504	BOLT,HEX FLANGE, M8*16	2
11	9100505	BOLT, HEX FLANGE, M6*12	1
12	9100506	PLATE,HAND BRAKE CONNECTING	1
13	9100507	ROCK ARM, HAND BRAKE	1
14	9100508	BOLT, FLANGE	1
15	9100509	SPRING, HAND BRAKE RETURN	1
16	9100510	CABLE COMP., LEFT BRAKE	1
17	9100511	CABLE COMP., RIGHT BRAKE	1
18	9100512	PIN, FIXED	2
19	9100513	PIN,SPLIT	2
20	9100514	TUBE L. FR., BRAKING FLUID	1
21	9100515	TUBE R. FR., BRAKING FLUID	1
22	9100516	TUBE L. RR., BRAKING FLUID	1
23	9100517	TUBE R. RR., BRAKING FLUID	1
24	9100518	CLIP,BRAKING FLUID TUBE SPRING	4
25	9100519	CUSHION	4
26	9100520	BOLT	4
27	9100521	PIPE	1
28	9100522	BOLT	2
29	9100523	WASHER	2

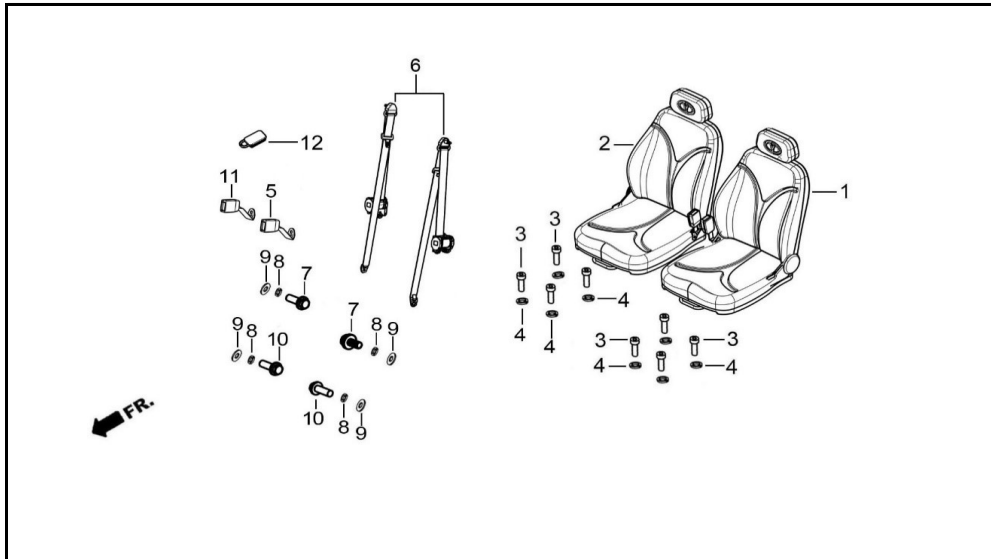
F-14 TRANSMISSION/POWER SYSTEM



REF.NO.	Art. No.	PART NAME	REQD Q'ty.
1	9100524	REDUCTION GEARBOX REAR AXLE	1
2	9100525	CLIP, U	4
3	9100526	NUT,HEX	8
4	9100527	WASHER,SPRING	8
5	9100528	WASHER	8
6	9100529	MOTOR,DRIVING	1
7	9100530	BOLT, HEX FLANGE, M10*1.25*45	4
8	9100531	GEARSHIFTER, ELECTRICAL	1
9	9100532	SCREW, PLUS PAN, M6*20	2
10	9100533	BOLT, HEX FLANGE, M6*40	1
11	9100534	GEARSHIFT BAR BALLHEAD	1
12	9100535	CONTROLLER ASSY., POWER	1

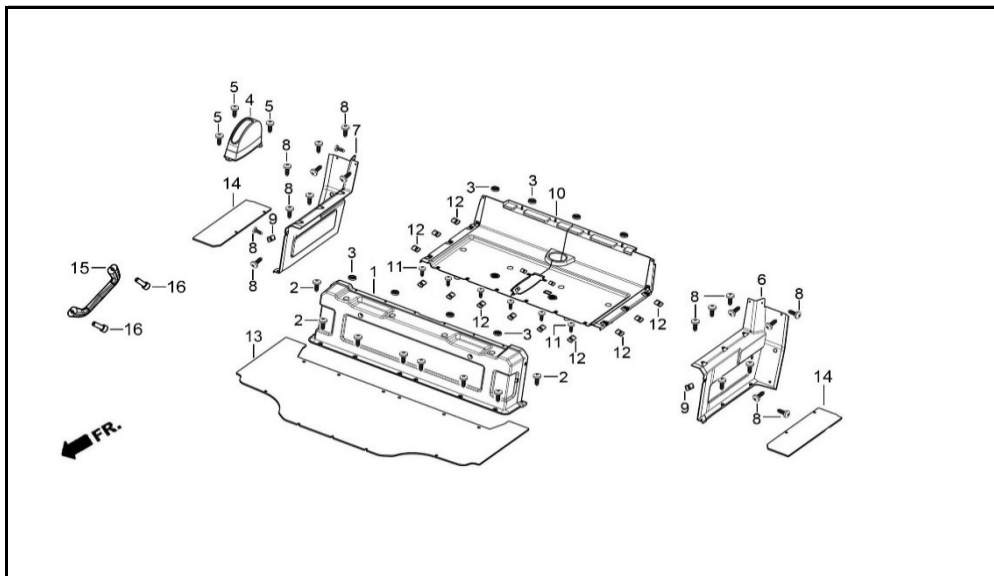
13	9100536	BOLT, HEX FLANGE, M6*16	4
14	9100537	ACCELERATOR ASSY., ELECTRICAL	1
15	9100538	BOLT, HEX FLANGE, M6*20	3
16	9100539	CHARGER	1
17	9100540	BOLT, HEX FLANGE, M6*16	4
18	9100541	CABLE,CHARGING	1

F-15 SEAT



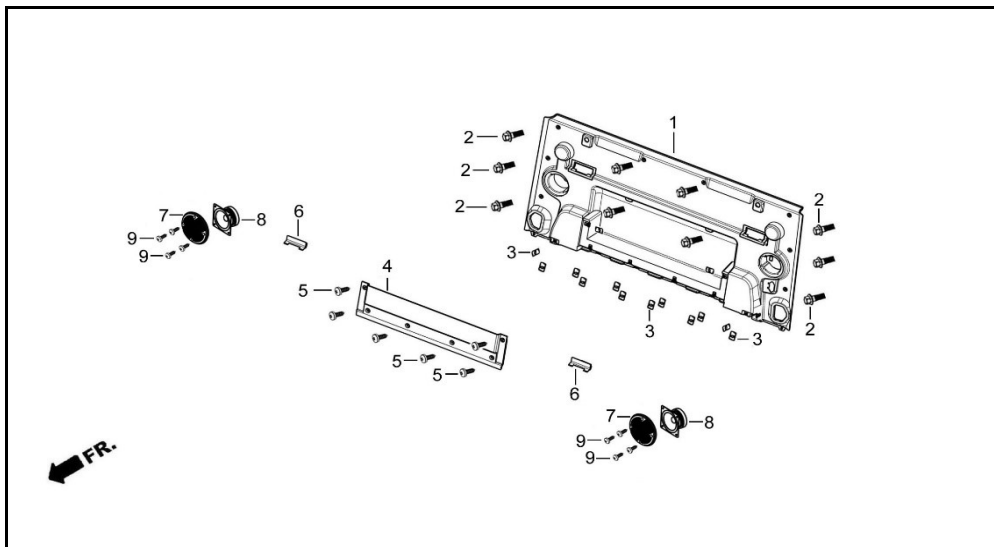
REF.NO.	Art. No.	PART NAME	REQD Q'ty.
1	9100542	Driver's Seat Comp.	1
2	9100543	Vice-Driver's Seat Comp.	1
3	9100544	BOLT	8
4	9100545	WASHER	8
5	9100546	Belt Buckle	1
6	9100547	SAFE BELT COMP.	2
7	9100548	BOLT, HEX FLANGE, M10*1.25*25	2
8	9100549	WASHER,SPRING GB93 φ10 BLACK	4
9	9100550	WASHER 10*18*2	4
10	9100551	BOLT, HEX FLANGE, M10*1.25*32	2
11	9100552	Vice-Driver's BELT BUCKLE	1
12	9100553	END CAP, BELT BUCKLE	1

F-16 SEAT BOX/ BATTERY BOX



REF.NO.	Art. No.	PART NAME	REQD Q'ty.
1	9100554	FRONT PARTS, FRONT SEAT BOX	1
2	9100555	SCREW,TAPPING,ST4.2*16	8
3	9100556	WASHER	8
4	9100557	HAND BRAKING BOX	1
5	9100558	SCREW,TAPPING,ST4.2*16	3
6	9100559	LEFT, RR BATTERY BOX	1
7	9100560	RIGHT, RR BATTERY BOX	1
8	9100561	SCREW,TAPPING,ST4.2*12	20
9	9100562	CLIP, SPRING	2
10	9100563	COVER, BATTERY CASE	1
11	9100564	SCREW,TAPPING,ST4.2*12	6
12	9100565	CLIP, SPRING	14
13	9100566	FRONT RUBBER FLOOR COVERING	1
14	9100567	LEFT, RR RUBBER FLOOR COVERING	2
15	9100568	ROD COMP., VICE DRIVER	1
16	9100569	SCREW	2

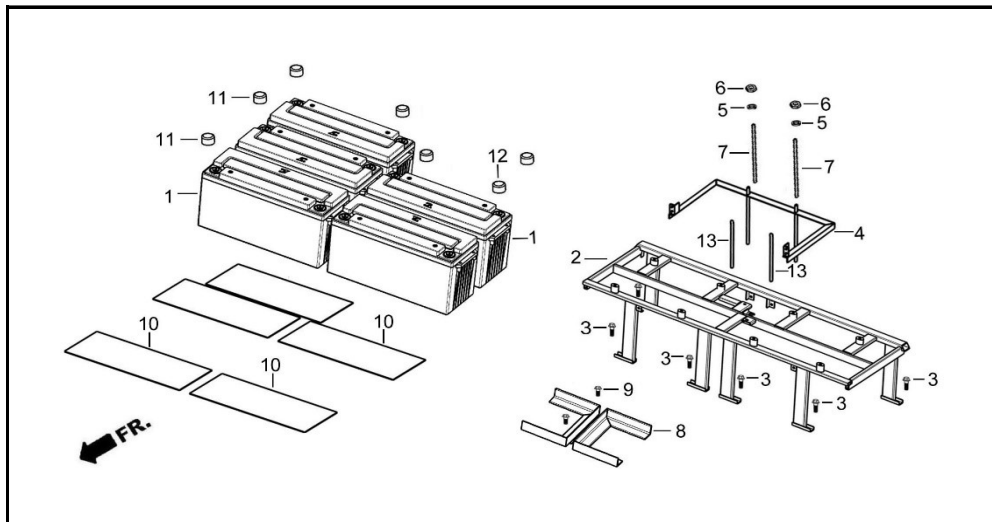
F-17 Backrest



REF.NO.	Art. No.	PART NAME	REQD Q'ty.
1	9100570	BACKREST	1
2	9100571	BOLT	10

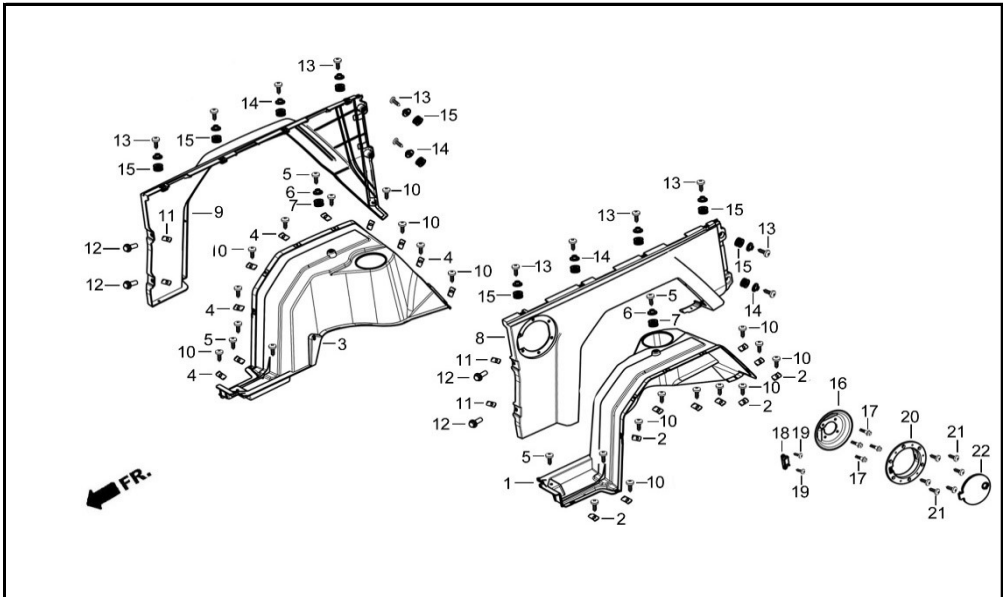
3	9100572	CLIP, SPRING	14
4	9100573	CAP, RR CARRIER	1
5	9100574	SCREW,TAPPING,ST4.2*12	6
6	9100575	DECORATIVE COVER, SAFE BELT	2
7	9100576	COVER,SPEAKER	2
8	9100577	HORN, SPEAKER	2
9	9100578	SCREW	8

F-18 BATTERY SET



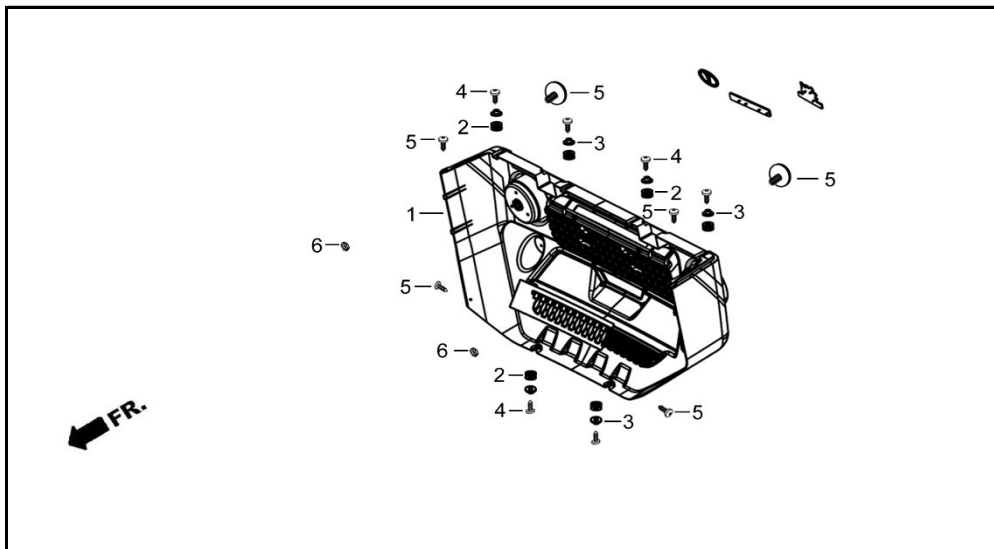
REF.NO.	Art. No.	PART NAME	REQD Q'ty.
1	9100579	BATTERY, MAINTENANCE FREE LEAD ACID	5
2	9100580	FR. FRAME COMP.,BATTERY BOX	1
3	9100581	BOLT, HEX FLANGE, M8*16	8
4	9100582	RR. FRAME COMP., BATTERY BOX	1
5	9100583	WASHER, SPRING 8	2
6	9100584	NUT,HEX THIN	2
7	9100585	BOLT, STUD, M8*260	2
8	9100586	SUPPORT COMP., BATTERY	1
9	9100587	BOLT	2
10	9100588	PLATE, BATTERY UNDER	5
11	9100589	RUBBER CAP, BATTERY	5
12	9100590	CAP, BATTERY CASE COVER RUBBER	2
13	9100591	SUPPORT PIPE, BATTERY	2

F-19 REAR MUDGUARD



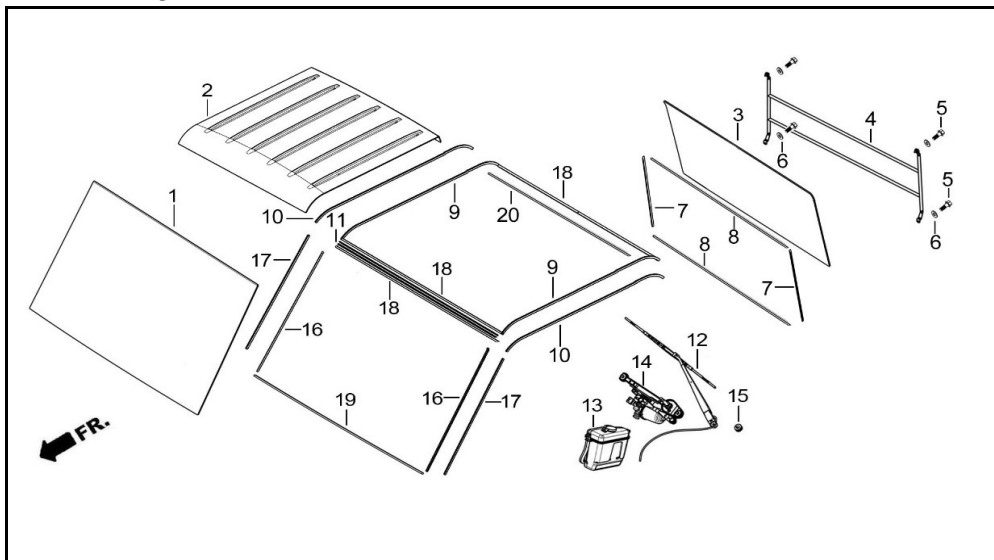
REF.NO.	Art. No.	PART NAME	REQD Q'ty.
1	9100592	MUDGUARD,REAR LEFT WHEEL	1
2	9100593	CLIP, SPRING	11
3	9100594	MUDGUARD,REAR RIGHT WHEEL	1
4	9100595	CLIP, SPRING	11
5	9100596	SCREW	6
6	9100597	SLEEVE	2
7	9100598	RUBBER COVER, CUSHION	2
8	9100599	TRIMS,LEFT REAR WHEEL	1
9	9100600	TRIMS,RIGHT REAR WHEEL	1
10	9100601	SCREW,TAPPING ST4.8*13	22
11	9100602	CLIP, SPRING	4
12	9100603	BOLT	4
13	9100604	SCREW	12
14	9100605	SLEEVE	12
15	9100606	RUBBER COVER, CUSHION	12
16	9100607	CHARGER SEAT	1
17	9100608	BOLT,FLANGE 6*16	4
18	9100609	SEAT, CHARGER CAP	1
19	9100610	SCREW,TAPPING ST4.2*16	2
20	9100611	DECORATIVE COVER, CHARGER	1
21	9100612	SCREW	6
22	9100613	CHARGER CAP	1

F-20 REAR BUMPER



REF.NO.	Art. No.	PART NAME	REQD Q'ty.
1	9100614	REAR BUMPER	1
2	9100615	RUBBER COVER, CUSHION	6
3	9100616	SLEEVE	6
4	9100617	SCREW, PLUS PAN, M6*20	6
5	9100618	SCREW, PLUS PAN, M6*20	4
6	9100619	REAR REFLECTOR	2
7	9100620	NUT	2

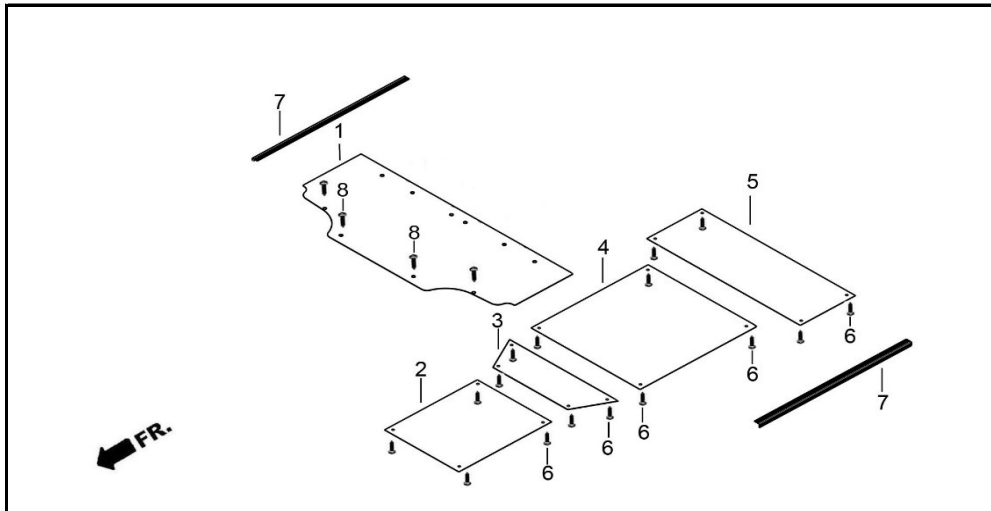
F-21 WINDSHIELD



REF.NO.	Art. No.	PART NAME	REQD Q'ty.
1	9100621	WINDSHIELD, FRONT	1
2	9100622	ROOF	1
3	9100623	WINDSHIELD, REAR	1
4	9100624	SAFETY FENCE, RR WINDSHIELD	1
5	9100625	BOLT, HEX FLANGE, M6*12	4
6	9100626	WASHER	4
7	9100627	INNER SEAL, REAR WINDSHIELD	2
8	9100628	UPPER SEAL, REAR WINDSHIELD	3
9	9100629	INNER SEAL, ROOF	2
10	9100630	OUTSIDE SEAL, ROOF	2

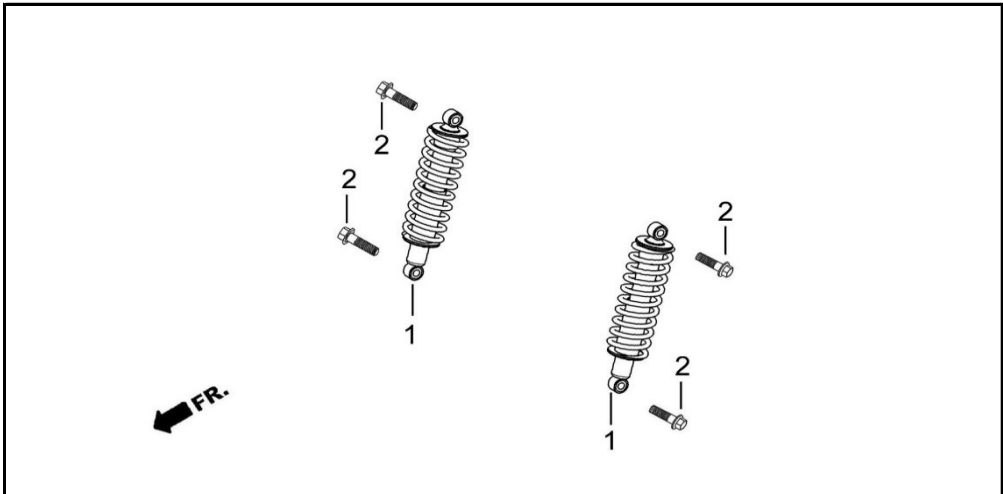
11	9100631	UPPER SEAL, FR WINDSHIELD	1
12	9100632	WIPER,WINDSHIELD	1
13	9100633	COMPONENTS, PUMP KETTLE	1
14	9100634	COMPONENTS, WIPER MOTOR	1
15	9100635	RING,WIPER TUBE RUBBER	1
16	9100636	INNER SEAL, FR WINDSHIELD	2
17	9100637	OUTSIDE SEAL, FR WINDSHIELD	2
18	9100638	RUBBER STRIPE, OUTSIDE	2
19	9100639	BOTTOM SEAL, FR WINDSHIELD	1
20	9100640	FR/RR SEAL, ROOF	1

F-22 FLOOR



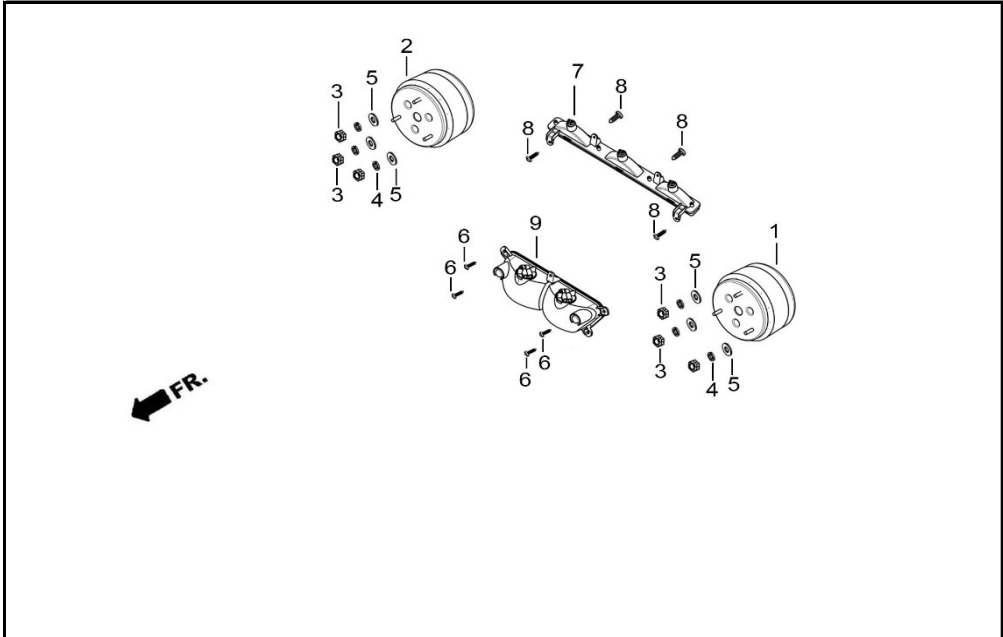
REF.NO.	Art. No.	PART NAME	REQD Q'ty.
1	9100641	FLOOR,FRONT	1
2	9100642	FRONT WIRE HARNESS COVER	1
3	9100643	WIRE HARNESS COVER	1
4	9100644	WIRE HARNESS COVER 2	1
5	9100645	RR WIRE HARNESS	1
6	9100646	SCREW	20
7	9100647	LAYER, FLOOR	2
8	9100648	SCREW	4

F-23 REAR SHOCK ABSORBER



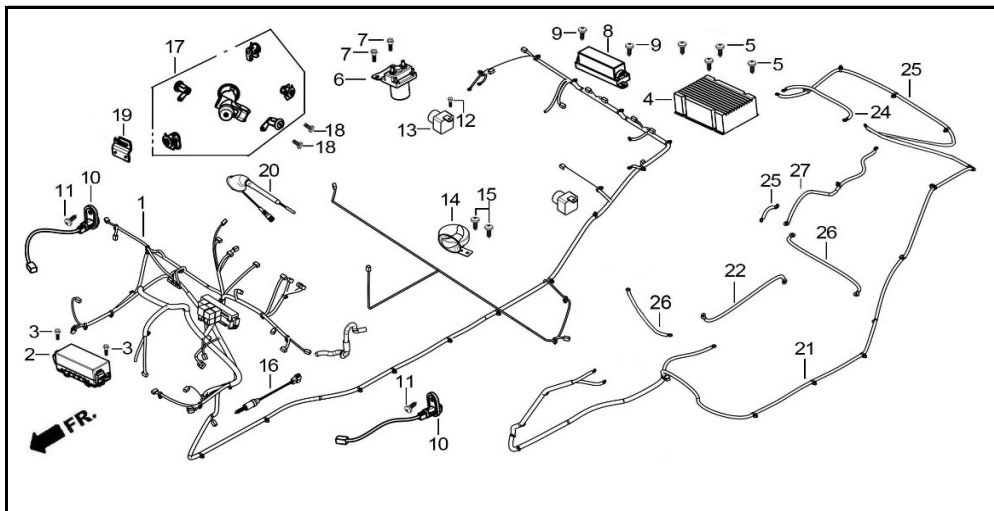
REF.NO.	Art. No.	PART NAME	REQD Q'ty.
1	9100649	REAR CUSHION	2
2	9100650	BOLT M14*1.5*50	4

F-24 TAILLIGHT



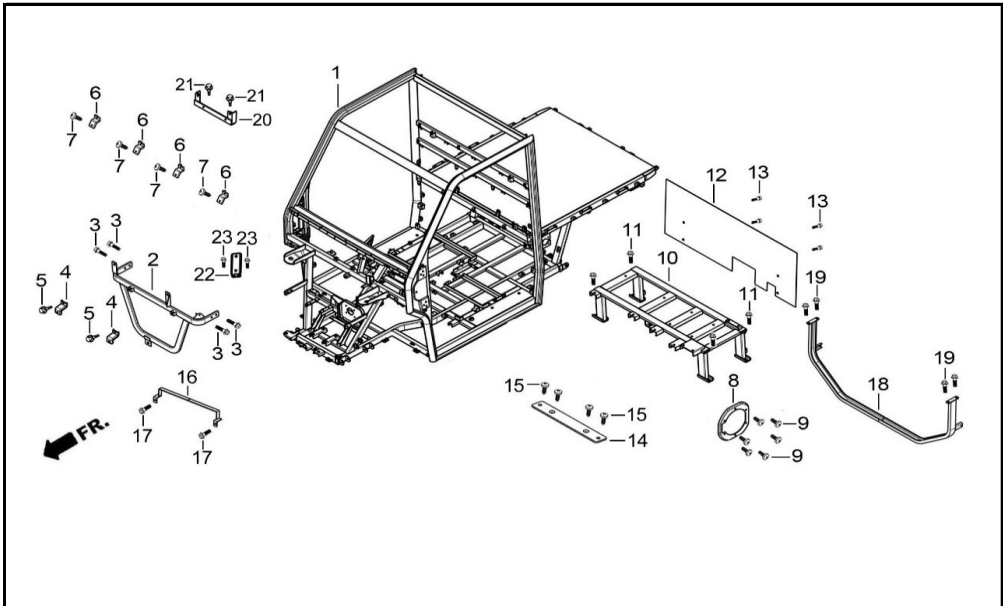
REF.NO.	Art. No.	PART NAME	REQD Q'ty.
1	9100651	LEFT TAILLIGHT	1
2	9100652	RIGHT TAILLIGHT	1
3	9100653	NUT,FLANGE	6
4	9100654	WASHER,SPRING	6
5	9100655	washer	6
6	9100656	SCREW,TAPPING ST4.2*16	3
7	9100657	PLATE LIGHT	1
8	9100658	SCREW,TAPPING ST4.2*16	4
9	9100659	REVERSING & FOG LAMP ASSY.	1

F-25 WIRE HARNESS



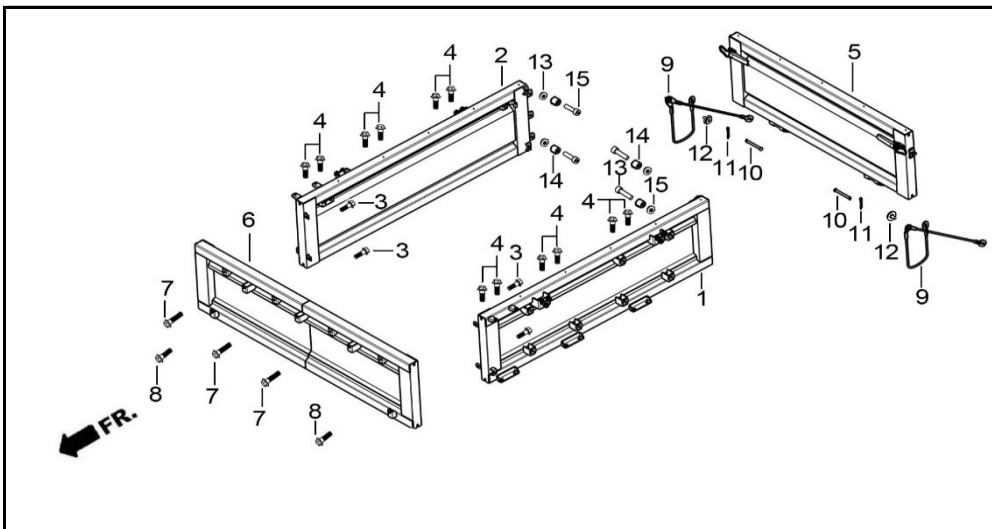
REF.NO.	Art. No.	PART NAME	REQD Q'ty.
1	9100660	WIRE HARNESS ASSY.	1
2	9100661	electric appliance	1
3	9100662	BOLT, HEX FLANGE, M6*16	2
4	9100663	DC CONVERTER	1
5	9100664	SCREW	4
6	9100665	DC CONTACTOR	1
7	9100666	BOLT, HEX FLANGE, M6*12	4
8	9100667	INSURANCE BOX	1
9	9100668	SCREW, PLUS PAN, M6*16	2
10	9100669	GATE CONTROLLED SWITCH	2
11	9100670	screw	2
12	9100671	BUZZER,REVERSE	1
13	9100672	BOLT, HEX FLANGE, M6*12	1
14	9100673	HORN	1
15	9100674	SCREW	2
16	9100675	BRAKING SWITCH	1
17	9100676	LOCK CONBINATION	1
18	9100677	BOLT, HEX FLANGE	2
19	9100678	SLOT,LOCK	1
20	9100679	ANTENNA RECEIVER	1
21	9100680	CABLE 1 ASSY.,POWER	1
22	9100681	CABLE 3 ASSY.,POWER	1
23	9100682	CABLE 2 ASSY.,POWER	1
24	9100683	CABLE 7 ASSY.,POWER	1
25	9100684	CABLE 3 ASSY.,POWER	2
26	9100685	CABLE 3 ASSY.,POWER	2
27	9100686	CABLE 4 ASSY.,POWER	1

F-26 FRAME WORK



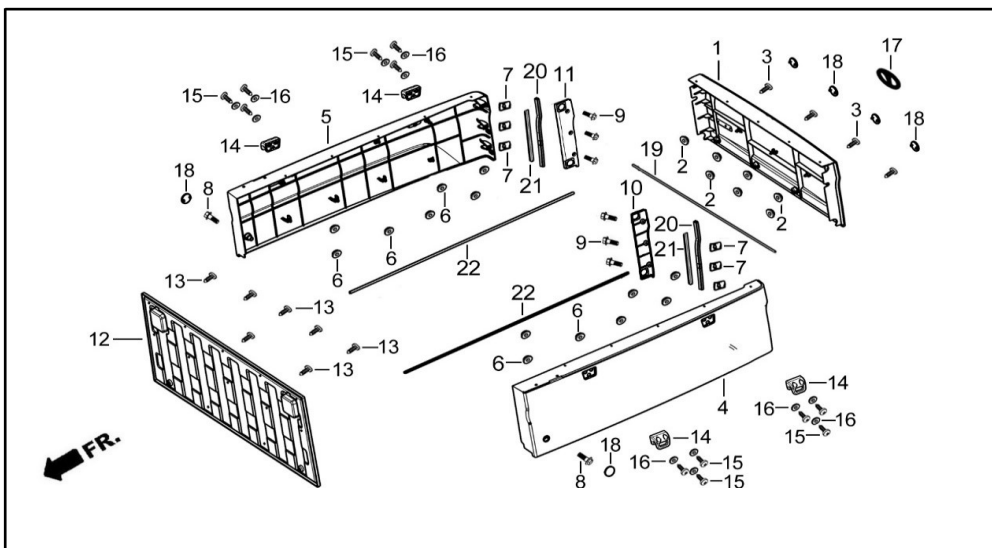
REF.NO.	Art. No.	PART NAME	REQD Q'ty.
1	9100687	FRAME COMP.	1
2	9100688	FR. BUMPER COMP.	1
3	9100689	BOLT	4
4	9100690	SUPPORT COMP., FRONT BUMPER	2
5	9100691	BOLT	2
6	9100692	ENHANCE SUPPORT COMP., INSTRUMENT DESK	4
7	9100693	SCREW	4
8	9100694	SUPPORT, CHARGER DECORTIVE COVER	1
9	9100695	SCREW	6
10	9100696	SUPPORT COMP., CONTROL SYSTEM	1
11	9100697	BOLT	4
12	9100698	BAFFLE, REAR BATTERY	1
13	9100699	BOLT	4
14	9100700	MOUNTING PLATE, CONTROLLER	2
15	9100701	SCREW	4
16	9100702	SUPPORT PLATE COMP., CONDENSER	1
17	9100703	BOLT, HEX FLANGE, M8*16	2
18	9100704	SUPPORT COMP., RR BUMPER	1
19	9100705	BOLT	4
20	9100706	BOTTOM SUPPORT COMP., EVAPORATION BOX	1
21	9100707	BOLT, HEX FLANGE, M6*12	2
22	9100708	SUPPORT, GASHOLDER	1
23	9100709	BOLT, HEX FLANGE, M8*16	2

F-27 Box board



REF.NO.	Art. No.	PART NAME	REQD Q'ty.
1	9100710	LEFT BOXBOARD COMP.	1
2	9100711	RIGHT BOXBOARD COMP.	1
3	9100712	BOLT, HEX FLANGE M6*12	4
4	9100713	BOLT, HEX FLANGE M8*16	12
5	9100714	RR BOXBOARD COMP.	1
6	9100715	FR BOXBOARD COMP.	1
7	9100716	BOLT, HEX FLANGE M6*20	3
8	9100717	BOLT, HEX FLANGE M6*30	2
9	9100718	LIMITED CABLE COMP.	2
10	9100719	hinge pin, RR BOXBOARD	2
11	9100720	pin	2
12	9100721	cablE BOLT	2
13	9100722	WASHER	4
14	9100723	BLOCK RUBBER	4
15	9100724	SCREW	4

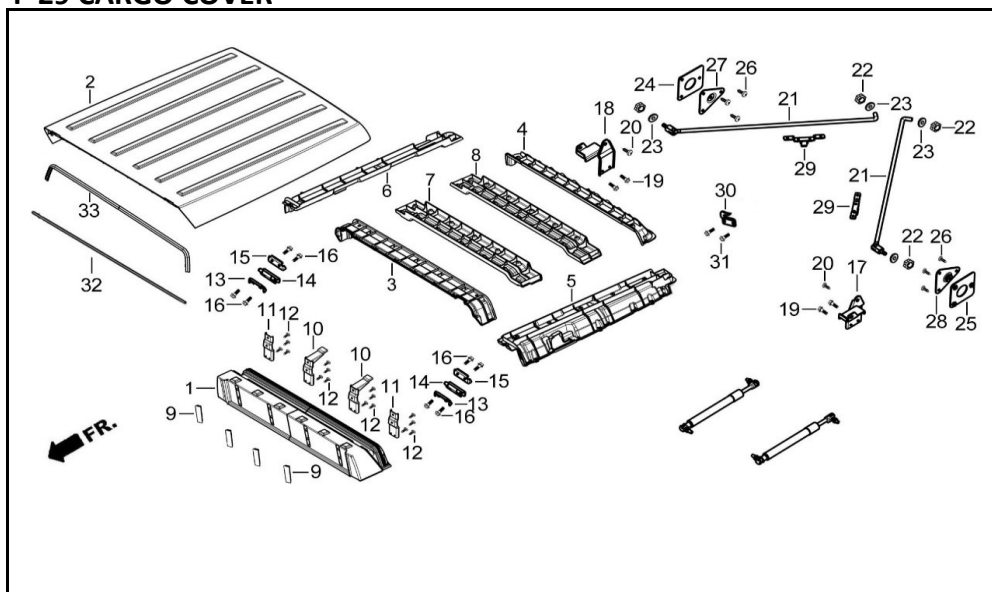
F-28 BOX BOARD



REF.NO.	Art. No.	PART NAME	REQD Q'ty.
1	9100725	DECORATIVE PLATE, RR BOXBOARD	1
2	9100726	WASHER	7
3	9100727	SCREW	4

4	9100728	DECORATIVE PLATE, LEFT BOXBOARD	1
5	9100729	DECORATIVE PLATE, RIGHT BOXBOARD	1
6	9100730	WASHER	14
7	9100731	NUT	6
8	9100732	BOLT	2
9	9100733	BOLT	6
10	9100734	RR COVER, RIGHT BOXBOARD	1
11	9100735	RR COVER, LEFT BOXBOARD	1
12	9100736	RR BACK SHIELD	1
13	9100737	SCREW	7
14	9100738	HOOK, PICKUP	4
15	9100739	SCREW	12
16	9100740	WASHER	12
17	9100741	LOGO, STEERING WHEEL	1
18	9100742	DRAIN PLUG, DECORATIVE PLATE OF BOXBOARD	6
19	9100743	LAYERING, DECORATIVE PLATE OF RR BOXBOARD	1
20	9100744	SEAL, DECORATIVE PLATE OF RR BOXBOARD	2
21	9100745	SIDE SEAL, DECORATIVE PLATE OF RR BOXBOARD	2
22	9100746	LAYERING, DECORATIVE PLATE OF SIDE BOXBOARD	2

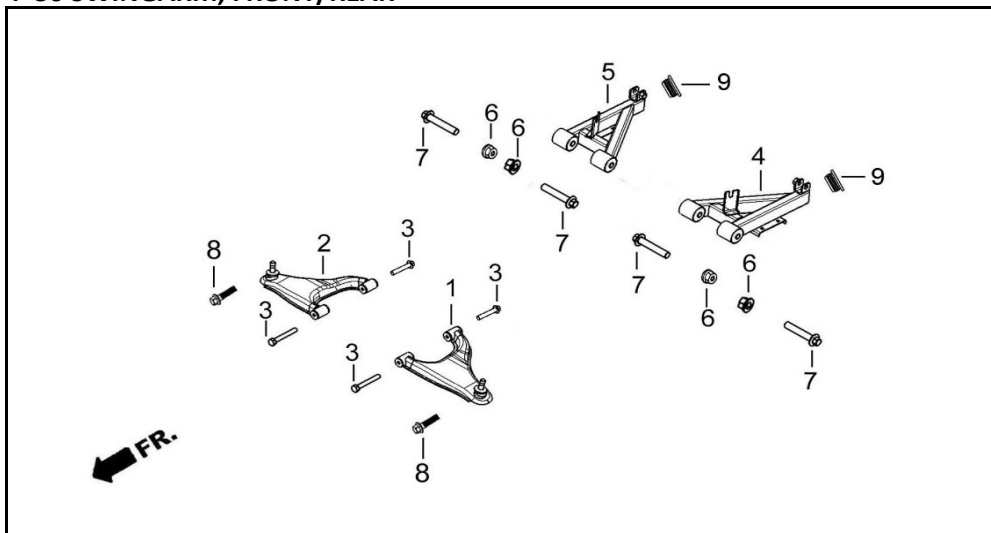
F-29 CARGO COVER



REF.NO.	Art. No.	PART NAME	REQD Q'ty.
1	9100747	FR PARTS, CARGO	1
2	9100748	CARGO COVER	1
3	9100749	FR INNER PLATE, CARGO COVER	1
4	9100750	RR INNER PLATE, CARGO COVER	1
5	9100751	LEFT INNER PLATE, CARGO COVER	1
6	9100752	RIGHT INNER PLATE, CARGO COVER	1
7	9100753	ENHANCE FR PLATE, CARGO	1
8	9100754	ENHANCE RR PLATE CARGO	1
9	9100755	RUBBER, CARGO	4
10	9100756	FR SUPPORT COMP., CARGO	2
11	9100757	FR SUPPORT, CARGO	2
12	9100758	SCREW	16
13	9100759	INTERIOR LINING PANEL, FR CARGO COVER	2
14	9100760	INTERIOR LINING PANEL, RR CARGO COVER	2
15	9100761	HINGE COMP., CARGO	2
16	9100762	BOLT	8

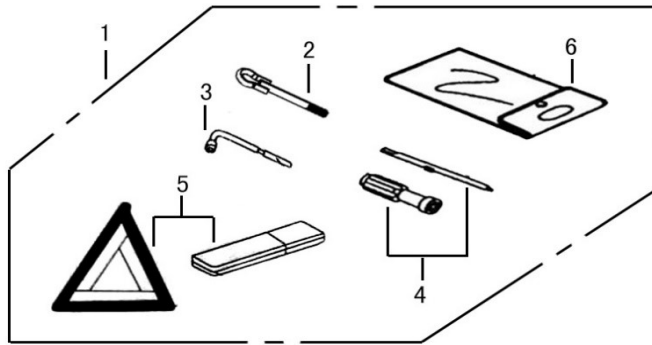
17	9100763	LEFT FR SUPPORT COMP., PNEUMATIC CYLINDER	1
18	9100764	RIGHT FR SUPPORT COMP., PNEUMATIC CYLINDER	1
19	9100765	BOLT	4
20	9100766	SCREW	2
21	9100767	SUPPORT ROD COMP.	2
22	9100768	NUT	4
23	9100769	WASHER	4
24	9100770	PNEUMATIC CYLINDER PLATE	1
25	9100771	LEFT RR PNEUMATIC CYLINDER PLATE	1
26	9100772	SCREW	6
27	9100773	RR SUPPORT PLATE, PNEUMATIC CYLINDER	1
28	9100774	RR SUPPORT PLATE, LEFT RR PNEUMATIC CYLINDER	1
29	9100775	LOCATED SUPPORTING COMP.	2
30	9100776	HOOK, RR CARRIER	1
31	9100777	BOLT	2
32	9100778	FR SEAL, CARGO COVER	1
33	9100779	SEAL, CARGO COVER	1

F-30 SWINGARM, FRONT/REAR



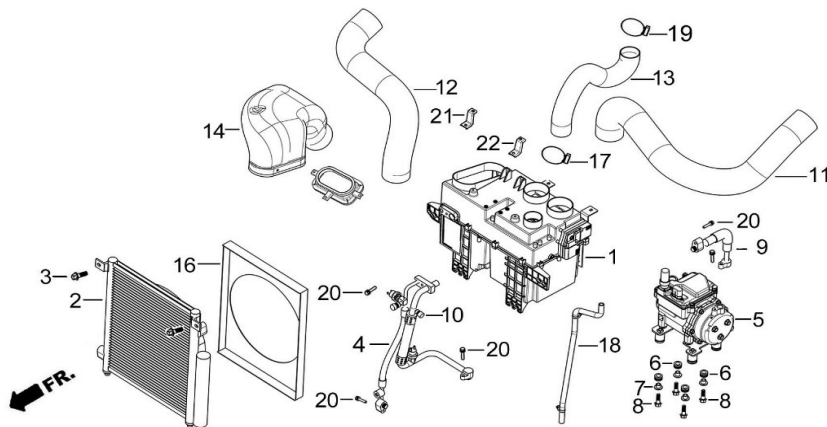
REF.NO.	Art. No.	PART NAME	REQD Q'ty.
1	9100780	SWINGARM COMP.,LEFT FRONT	1
2	9100781	SWINGARM COMP.,RIGHT FRONT	1
3	9100782	BOLT, HEX FLANGE M10*1.25*75	4
4	9100783	SWING ARM ASSY.,LEFT REAR	1
5	9100784	SWING ARM ASSY.,RIGHT REAR	1
6	9100785	nut	4
7	9100786	BOLT M16*1.5*90	4
8	9100787	BOLT, HEX FLANGE M10*1.25*45	2
9	9100788	RUBBER,DAMPER	2

F-31 TOOLS



REF.NO.	Art. No.	PART NAME	REQD Q'ty.
1	9100789	TOOL SET	1
2	9100790	BOLT, DRAG	1
3	9100791	SOCKET, WHEEL SPECIFIC	1
4	9100792	TWO HEAD DRIVER	1
5	9100793	WARNING PLATE	1
6	9100794	TOOL BAG	1

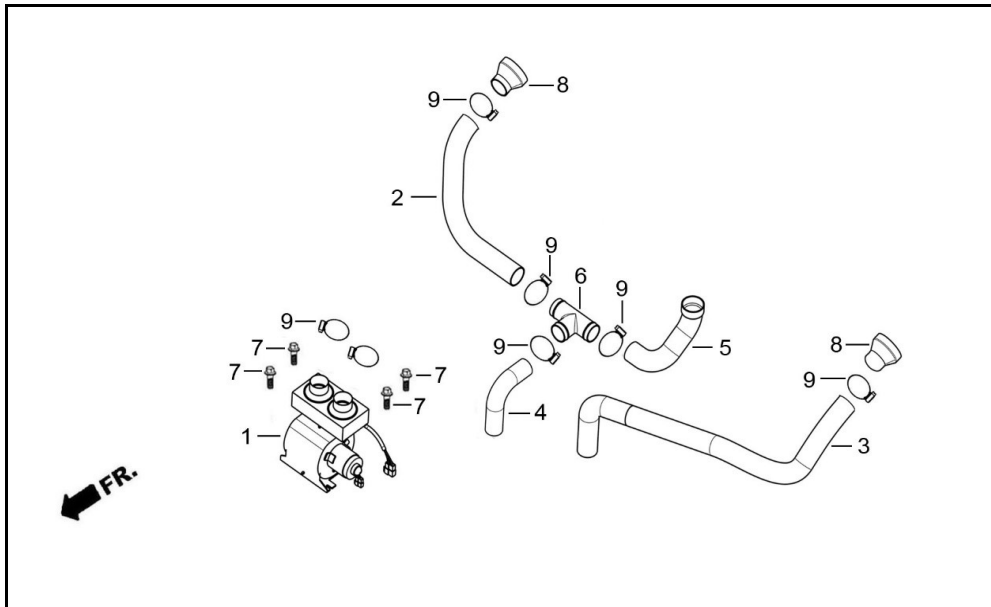
F-32 AIR CONDITION



REF.NO.	Art. No.	PART NAME	REQD Q'ty.
1	9100795	ASSEMBLY, EVAPORATOR BOX	1
2	9100796	ASSY., CONDENSER	1
3	9100797	BOLT, HEX FLANGE M8*16	2
4	9100798	OUT TAKE PIPE COMP., CONDENSER	1
5	9100799	COMPRESSOR ASSY.	1
6	9100800	CUSHION SLEEVE, COMPRESSOR ASSY.	4
7	9100801	BUSHING	4
8	9100802	BOLT, HEX FLANGE M8*45	4
9	9100803	EXHAUST PIPE COMP.	1
10	9100804	INSPIRED AIR COMP.	1
11	9100805	MAIN BODY, LEFT OUTTAKE PIPE	1

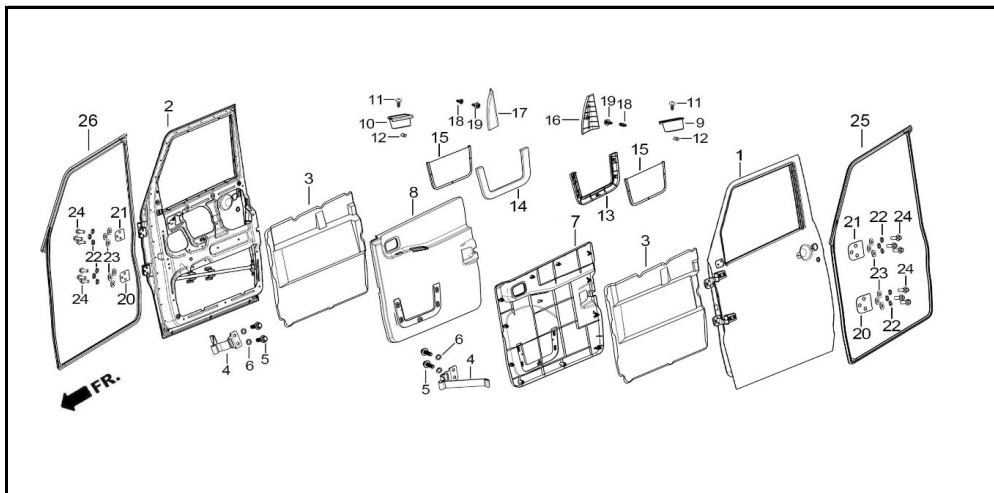
12	9100806	MAIN BODY, RIGHT OUTTAKE PIPE	1
13	9100807	DEDOG PIPE	1
14	9100808	RETURN DUCT	1
15	9100809	WIRING HARNESS, A/C	1
16	9100810	WIND SCOOPER, CONDENSER	1
17	9100811	CLIP,DEFOG PIPE	1
18	9100812	DRAIN TUBE	1
19	9100813	CLIP, INTAKE PIPE	1
20	9100814	BOLT	5
21	9100815	LEFT MOUNTING PLATE COMP., CENTRAL ELECTRIC A	1
22	9100816	RIGHT MOUNTING PLATE COMP., CENTRAL ELECTRIC	1

F-32-B WARMER



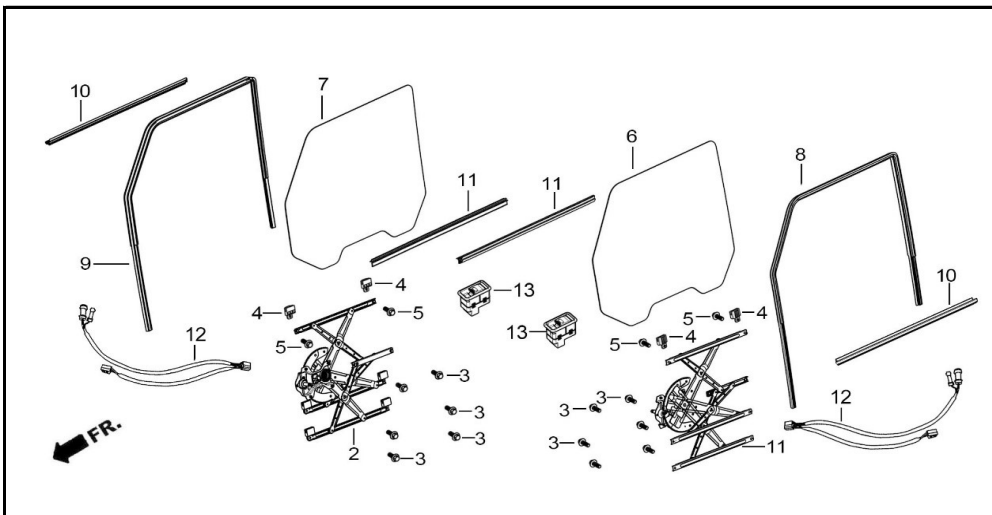
REF.NO.	Art. No.	PART NAME	REQD Q'ty.
1	9100817	ELECTRIC WARMER	1
2	9100818	CORRUGATED PIPE 1	1
3	9100819	CORRUGATED PIPE 2	1
4	9100820	CORRUGATED PIPE 3	1
5	9100821	CORRUGATED PIPE 5	1
6	9100822	T TYPE TUBE	1
7	9100823	BOLT,HEX FLANGE M6*16	4
8	9100824	JOINT, OUTLET	2
9	9100825	CLIP SET	8

F-33 FRONT SITE DOOR



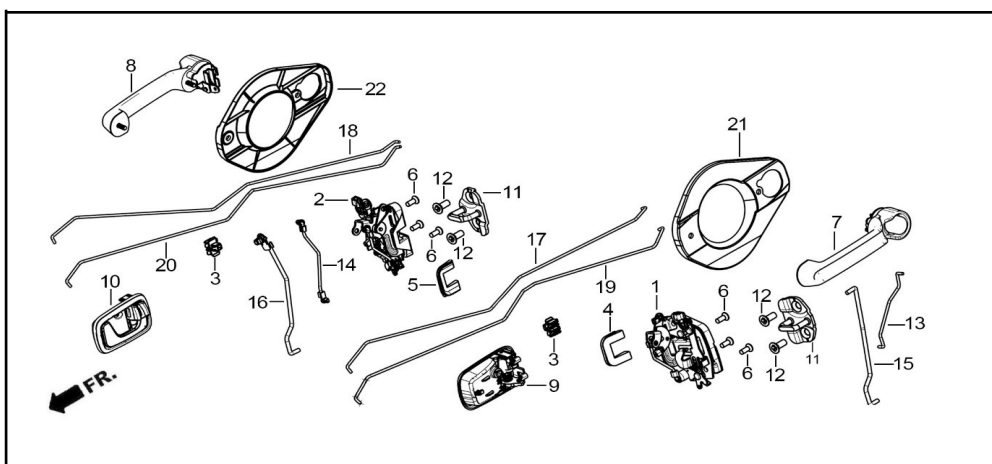
REF.NO.	Art. No.	PART NAME	REQD Q'ty.
1	9100826	FR HINGE COMP., LEFT DOOR	1
2	9100827	FR HINGE COMP., RIGHT DOOR	1
3	9100828	WATERPROOF MEMBRANE, DOOR	2
4	9100829	LIMITED DRAWSTRING COMP., DOOR	2
5	9100830	BOLT,HEX FLANGE M6*16	4
6	9100831	WASHER	4
7	9100832	FR TRIM PLATE, LEFT DOOR	1
8	9100833	FR TRIM PLATE, RIGHT DOOR	1
9	9100834	LEFT INNER BOX	1
10	9100835	RIGHT INNER BOX	1
11	9100836	SCREW,TAPPING ST4.2*16	2
12	9100837	CLIP, SPRING	2
13	9100838	LAYERING STRIPE, LEFT STRING BAG	1
14	9100839	LAYERING STRIPE, RIGHT STRING BAG	1
15	9100840	STRING BAG	2
16	9100841	FR DECORATIVE COVER, LEFT DOOR	1
17	9100842	FR DECORATIVE COVER, RIGHT DOOR	1
18	9100843	BUFFER BLOCK, DOOR	2
19	9100844	WASHER	2
20	9100845	WASHER	2
21	9100846	WASHER	2
22	9100847	WASHER	12
23	9100848	WASHER	12
24	9100849	BOLT	12
25	9100850	FR SEAL COMP., LEFT DOOR	1
26	9100851	FR SEAL COMP., RIGHT DOOR	1

F-34 FRONT WINDOWS



REF.NO.	Art. No.	PART NAME	REQD Q'ty.
1	9100852	LEFT WINDOW GLASS LIFTER COMP.	1
2	9100853	RIGHT WINDOW GLASS LIFTER COMP.	1
3	9100854	BOLT,HEX FLANGE M6*12	12
4	9100855	HOLDER COMP., GLASS	4
5	9100856	BOLT,HEX FLANGE M6*16	4
6	9100857	GLASS, LEFT FR DOOR	1
7	9100858	GLASS, RIGHT FR DOOR	1
8	9100859	GLASS SEAL, LEFT FR DOOR	1
9	9100860	GLASS SEAL, RIGHT FR DOOR	1
10	9100861	OUTSIDE RUBBER STRIPE, FR DOOR	2
11	9100862	INNER RUBBER STRIPE, FR DOOR	2
12	9100863	PATCH CORD, WINDOW GLASS LIFTER COMP.	2
13	9100864	SWITCH, WINDOW GLASS LIFTER COMP.	2

F-35 FRONT DOOR LOCK



REF.NO.	Art. No.	PART NAME	REQD Q'ty.
1	9100865	LOCK COMP., LEFT DOOR	1
2	9100866	LOCK COMP., RIGHT DOOR	1
3	9100867	CLAMP, ROD	2
4	9100868	SEAL GASKET, LEFT DOOR	1
5	9100869	SEAL GASKET, RIGHT DOOR	1

6	9100870	SCREW	6
7	9100871	HANDLE COMP., LEFT OUTSIDE	1
8	9100872	HANDLE COMP., RIGHT OUTSIDE	1
9	9100873	HANDLE COMP., LEFT INNER	1
10	9100874	HANDLE COMP., RIGHT INNER	1
11	9100875	LOCK, LEFT DOOR	2
12	9100876	SCREW	4
13	9100877	STOP ROD, LEFT OUTSIDE LOCK	1
14	9100878	STOP ROD, RIGHT OUTSIDE LOCK	1
15	9100879	OPEN ROD, LEFT OUTSIDE HANDLE	1
16	9100880	OPEN ROD, RIGHT OUTSIDE HANDLE	1
17	9100881	OPEN ROD, LEFT INNER HANDLE	1
18	9100882	OPEN ROD, RIGHT INNER HANDLE	1
19	9100883	STOP ROD, LEFT INNER LOCK	1
20	9100884	STOP ROD, RIGHT INNER LOCK	1
21	9100885	ENHANCE PLATE, LEFT OUTSIDE HANDLE	1
22	9100886	ENHANCE PLATE, RIGHT OUTSIDE HANDLE	1

geco-automobile.com

  gecoaautomobile



Alle Angaben zu Leistung und sonstigen technischen Daten entsprechen den zum Zeitpunkt der Erstellung vorhandenen Kenntnissen. Irrtümer, Druckfehler und Änderungen bleiben vorbehalten. Copyright Geco Automobile